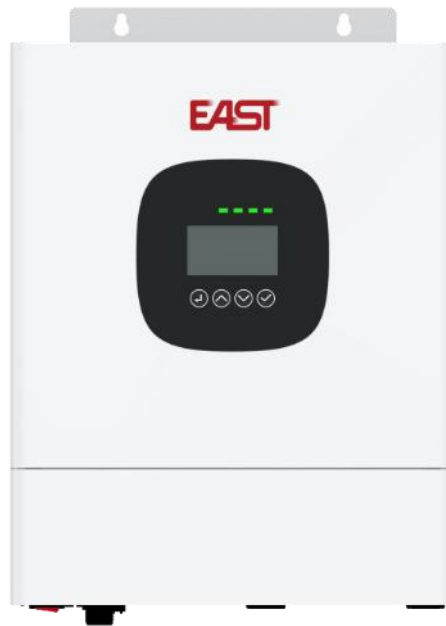


Single-phase off-grid inverter G4

GF3K24H/GF5K48H



Flexibly set multiple operation modes according to preferences



LCD and button design with a user-friendly operation interface

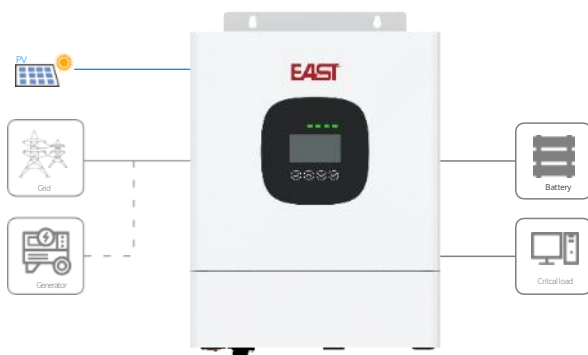


The system can be remotely monitored and maintained in real time via the WiFi module.

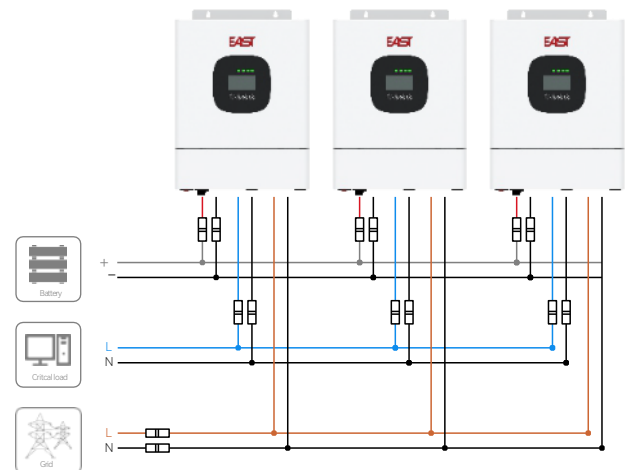


High charge and discharge efficiency, compatible with lithium batteries and lead-acid batteries

Classic application



Parallel operation application



Model	GF3K24H	GF5K48H
Rated power	3000VA/3000W	5000VA/5000W
Parallel operation function	Not supported	Supported, with a maximum of 6 units connected in parallel
AC input		
Rated input voltage	230VAC	230VAC
Input voltage range	170~280VAC (Personal Computer Load Mode) 90~280VAC (Household Load Mode)	
Rated input frequency	50/60Hz adaptive	
Input frequency range	40~65Hz	
Rated input current	17.4A	32A
Maximum input current	20A	40A
AC output		
Rated output voltage	230VAC	230VAC
Adjustable output voltage	220V/230V/240V	220V/230V/240V
Output configurable frequency	50Hz/60Hz	
Rated output current	13.05A	21.70A
Overload capacity	105%-110% load for 30s, 110%-130% load for 10s, 130%-150% load for 3s, 150%-200% load for 0.5s, ≥200% load for 0.2s	
Harmonic content of inverter voltage	< 5%, linear load, < 10%, non-linear load	
Efficiency (Peak)	93%	
Surge power	6000VA, 10 cycles	10000VA, 10 cycles
Switch time	10ms (typical value)	
Battery		
Battery type	Lead-acid battery / Lithium battery	
Rated voltage	24VDC	48VDC
Charging voltage	27VDC (default value), adjustable range 24~29.2VDC	54VDC (default value), adjustable range 48-58.4VDC
Overvoltage protection value	30.2VDC	60.5VDC
Rated discharge current	130A	113.7A
PV/AC charging		
PV charging type	MPPT	
Maximum PV power	5000W	6000W
Maximum PV open-circuit voltage	500VDC	
MPPT operating voltage range	120~450VDC	
Maximum PV input current	18A	27A
Maximum PV charging current	100A	
Maximum AC charging current	100A	
Maximum battery charging current	100A	
Other		
Dimensions (WxDxH) (mm)	300x115x380	345x115x375
Weight (kg)	6.6	9.2
Operating temperature range	-10°C~50°C	
IP rating	IP20	
Protect	Input overvoltage and undervoltage protection, input overfrequency and underfrequency protection, output overload protection, output short-circuit protection, over-temperature protection, fan fault protection, etc.	
Communication interface	USB/RS485, d y contact,WiFi (Optional)	